

Central vacuum systems

# Today the vacuum system stays in the drawer



**SENSE**

All the comfort of the central vacuum system



# Practical and light.

# Powerful

Forget about storing the hose: the central vacuum cleaner can now be stored in a drawer



With **SENSE** a lightness never experienced

by Sistem Air

# like no other



The only system for  
100% healthy air

Improve Indoor Air Quality with cleaning

No household appliance  
can do that

Electric brooms, robots and portable vacuum  
cleaners put the vacuumed air and micro-dust  
back into your rooms

# It expels dust pollutants, mites

The real hygiene that can only be provided by a centralized vacuum system



**SENSE**  
by Sistem Air

# and allergens



## Here's how it works

Here's how it works  
Everything you vacuum reaches the dust container of the vacuum unit without ever coming into contact with the user. Only the micro dust will come out of the vent outside the house.

No more lugging around heavy and noisy household appliances or rigid electric brooms to clean the floors of the house.



### PIPE NETWORK

placed under the floor, inside the walls or in the false ceiling



### CENTRAL VACUUM

installed wherever you prefer, even outdoors



### SENSE VACUUM INLET WITH INTEGRATED HOSE

The hose is hidden in the wall and always ready for cleaning

# With **SENSE** you fall in love

by Sistem Air



See how it works



# Designed to express your personality

Not just a simple vacuum inlet, Sense is a full-fledged design element. The finishes of the covers enhance the environment in a discreet way.

For a highly customized finish you can even choose to paint it with a colour of your choice thanks to the special clinging surface.



**SENSE covers**  
by Sistem Air



**Art. 1470.0**  
Brush-finished  
**steel**



**Art. 1470.1**  
Matt  
**white**



**Art. 1470.2**  
**Paintable**





The rigorous design of Sense encloses the total door silhouette on the wall in just 8 mm of thickness.

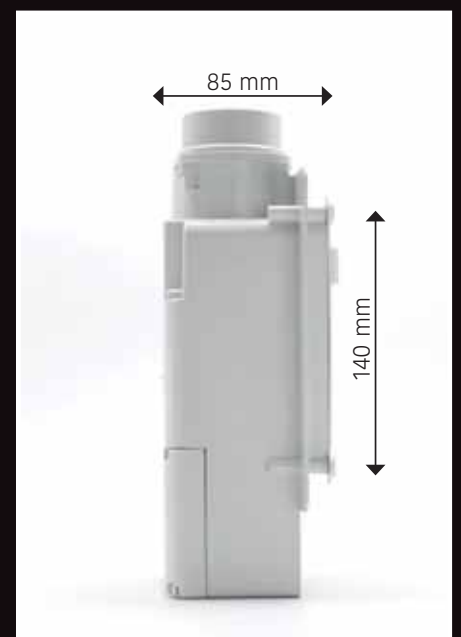
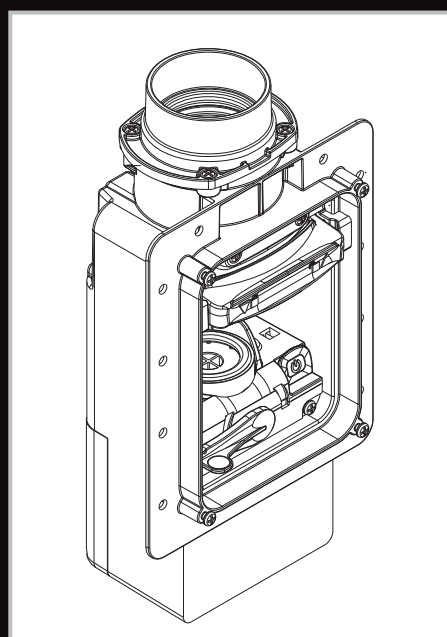
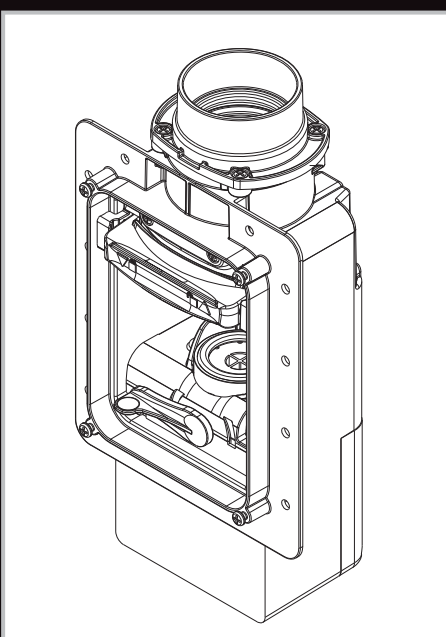
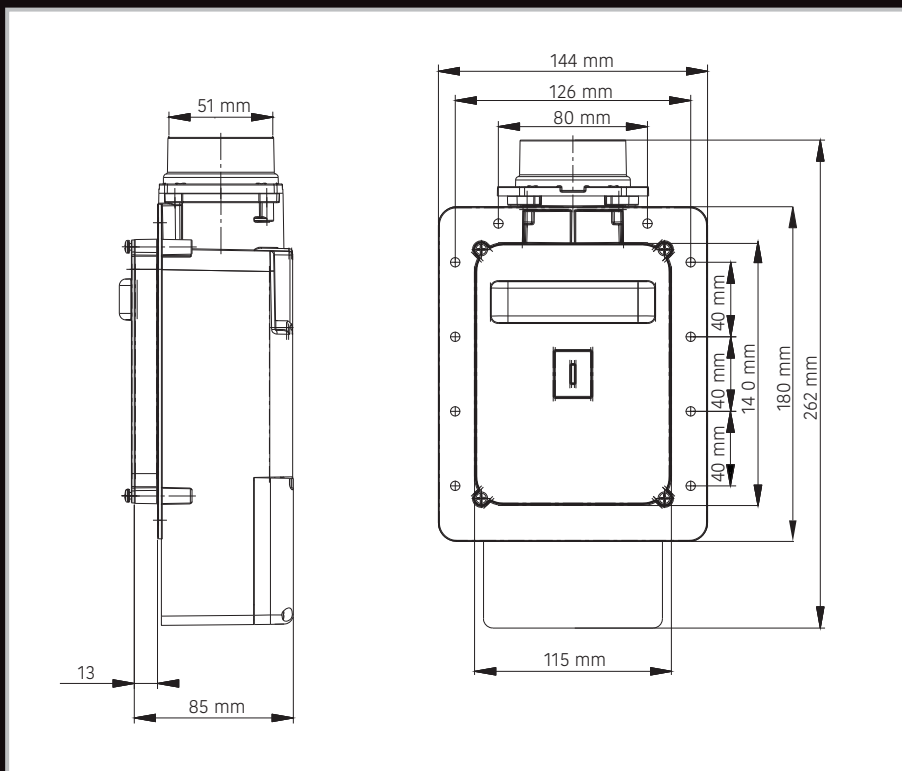


# The slimmest backplate in the world

Sense rewrites the installation rules of central vacuum systems with retractable hose.

Careful research and engineering studies have pushed Sistem Air where no one has ever ventured before. We have managed to build the thinnest backplate in the world to be inserted even where the available spaces are limited, making installation possible **on plasterboard walls, partitions walls, wood and prefabricated structures.**

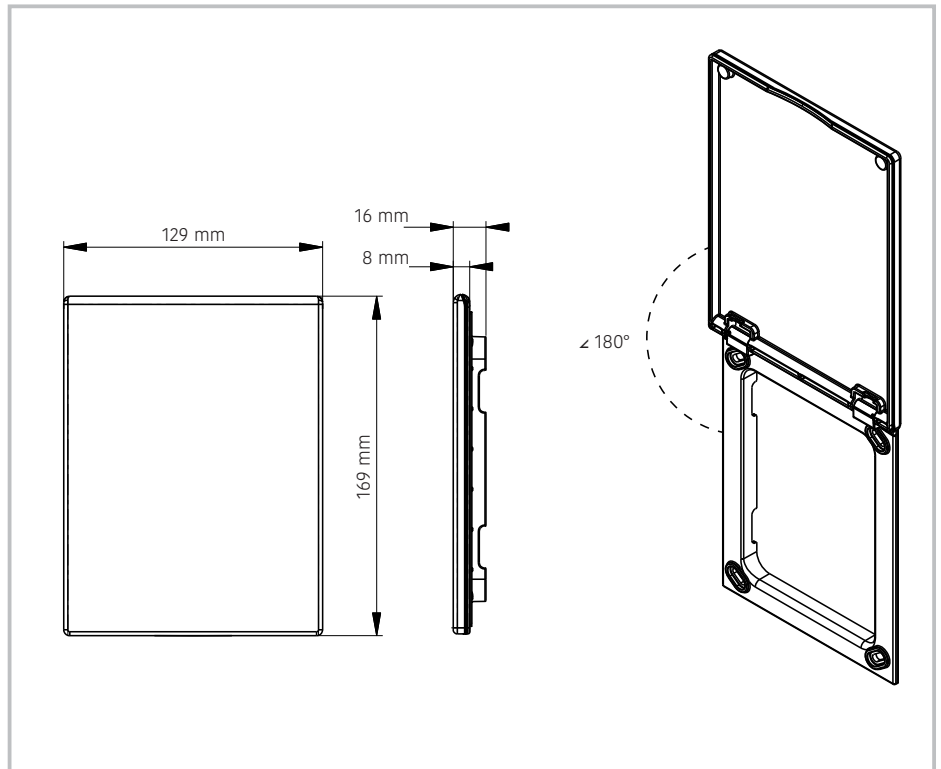
## Dimensions and measures



# Much more than a cover

The finishes of Sense express the beauty of the technique. Opening is facilitated, thanks to the pin movement, up to 180°. The system keeps the cover in position while the vacuum system is being used and closes it gently, until the magnetic closure is activated.

We have enclosed, in just 8 mm thickness, innovations capable to respond to the needs of practicality and comfort and aesthetics.



## The perfect placement

The four adjustable holes of Sense allow you to correct any misalignments of the backplate.

The cover will always be aligned, for an extremely perfect design.



# Simple installation



# and immediate. In every job



## Mono Sense art. 1450.33

Designed for systems where a **single suction point is installed.**

The revolution that gives the possibility to choose and use an even simpler and more convenient system where multiple vacuum inlets aren't necessary.



## Multi Sense art. 1450.32

The solution for systems with **multiple Sense inlet points** or mixed systems.

Includes the innovative sealing system that guarantees the vacuum tight throughout the pipe network.

# But where is the hose?

It does not roll up or disappear, it simply returns inside the pipe network installed in the wall by suction power.

The Sense hose is always ready for cleaning and it returns back when you no longer need it. So you won't have to worry about a thing.

To store the hose, just partially close its entrance and it will retract back in the wall. Easy, isn't it?



See how it works

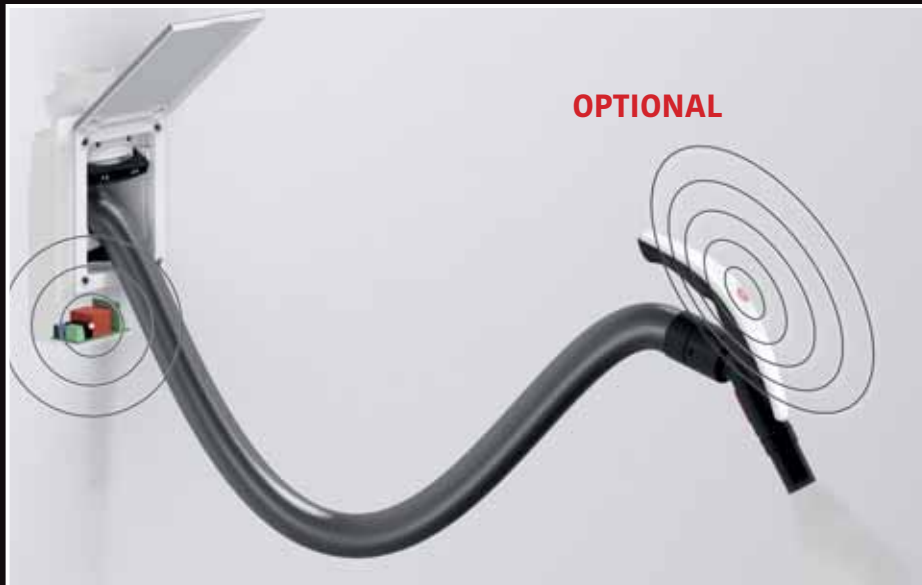


The hose goes back in the pipe network hidden inside the wall, with a considerable saving of space.



# Switch on and off with a touch

As an optional, Sense brings Sistem Air's on/off technology which is fully compatible with systems with retractable hose.



You can make your wireless hose by installing the electronic board inside the space on the bottom of the Sense box

## Quick installation



Unscrew and extract the module



Insert the receiver in the appropriate box or take advantage of the space available for your electrical connections



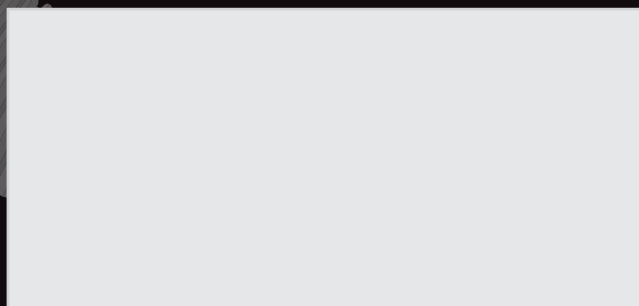
Screw the Sense module back on





# SENSE

by Sistem Air



[sistemair.com](http://sistemair.com)

27020 Gravellona Lomellina (PV) ITALY - Via Cilavegna, 53  
Tel. + 39 0381 650082 - [info@sistemair.com](mailto:info@sistemair.com)



+39 340 4090146