

a 1 - General informations

1.1 Te user guide.....	2
1.2 Safety and security precautions.....	2
1.3 Identification plate.....	3
1.4 Technical service provider.....	3

a 2 - Unpacking

2.1 Handling and unpacking.....	4/5
2.2 Control of the accessories.....	6

a 3 - Description of the suction unit

3.1 Operating principles.....	7
3.2 Allowed and improper use.....	8
3.3 Construction features.....	9
3.4 Technical features.....	10

a 4 - Installation

4.1 Place of installation.....	11
4.2 Switch from DX (right) to SX (left) model.....	12
4.3 Installation of the suction unit.....	14
4.4 How to connect to the pipe network.....	15
4.5 Electric connection.....	16

a 5 - How to use the suction unit

5.1 Starting of te suction unit.....	17
5.2 Use of the suction system.....	17

a 6 - Maintenance and spare parts

6.1 Programmed maintenance.....	18
6.2 Unloading the dust container.....	19
6.3 Replacement of the filter cartridge.....	20
6.4 Reconditioning of the filter cartridge.....	21
6.5 Servicing criteria.....	21
6.6 Spare parts list.....	22

a 7 - Dismantling

7.1 General instructions.....	22
-------------------------------	----

a 8 - Technical problems. 23

a 1 - GENERAL INFORMATION

1.1 The user guide

The user guide is a fundamental document written by the manufacturer and must be considered an integral part of the central suction unit. In case of resale, donation or lease to third parties, the user guide must be handed over to the new user or to the new owner.

We recommend storing and keeping the user guide throughout the whole operating life of the suction unit. The main purpose of the user guide is to provide a correct knowledge of the user mode in order to exploit the best performance and to maintain the central suction unit at its best working and security conditions.

It is absolutely forbidden to duplicate, copy or release totally or part of this user guide, without previous written authorization by the manufacturer. The manufacturer reserves the right to improve or modify this guide or the suction unit at any time without previous notice.

1.2 Safety and security precautions

i We recommend to read carefully all the indications concerning the installation concerning about use, and maintenance contained in this user guide

- 4 **NEVER USE** inappropriately the suction unit.
- 4 **NEVER** let the children get near the suction unit when it's working and never let the children play with the suction inlets or the suction unit.
- 4 **NEVER USE** the suction unit to remove textile stuff, big-size bits and pieces of any material, burning coals or ashes.
- 4 **NEVER USE** the suction unit to remove liquids.
- 4 **NEVER USE** the suction unit without the filter cartridge assembled.
- 4 **NEVER BLOCK** the air exhaust pipe and the cooling inlets of the motor.
- 4 **NEVER TOUCH** the suction accessories with any part of the body.
- 4 **USE ONLY** one inlet a time.
- 4 If you are not going to use the suction unit for an extended period of time, it's advisable to switch it off and cut it off from the main power supply.

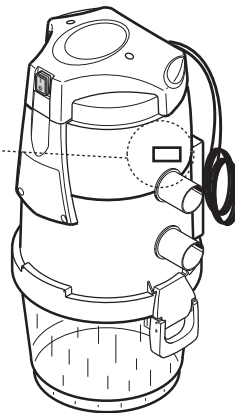
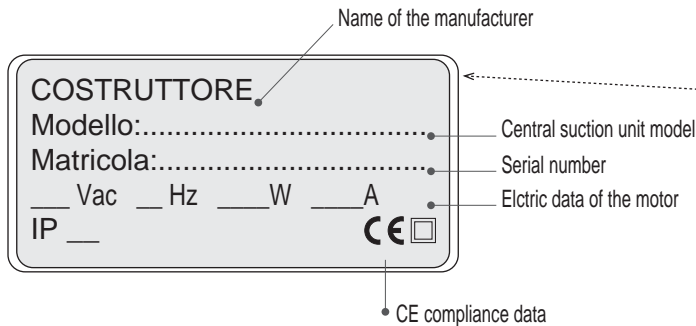
- Always wear protection gloves and mask when carrying out any maintenance operation, and when unloading the dust container or replacing/cleaning the filter.

- Use **ONLY** original spare parts.

Unplug the central suction unit when:

- 4 The power supply cable is worn out or damaged.
- 4 The suction unit has been exposed to the inclemency of the weather or to excessive moisture.
- 4 The suction unit has been damaged by an impact or the external container has been damaged.
- 4 The suction unit requires repairing or overhauling

1.3 Identification plate



1.4 Technical service provider

Call the manufacturer technical service or contact authorized centers for any information you may need. Always specify the technical data indicated on the identification plate and the serial number of the central vacuum unit.

Technical service provider and after-sales service

Authorized technical assistance center

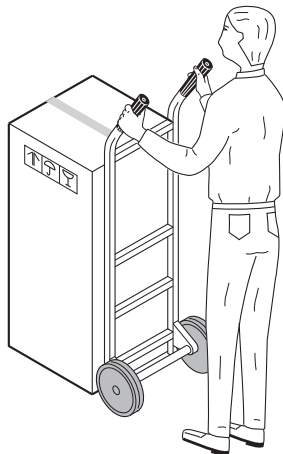
a 2 - UNPACKING

2.1 Handling and unpacking

See pictures:

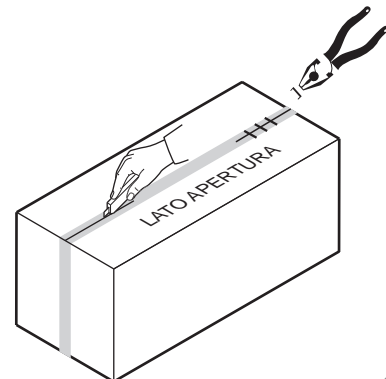
1

Transport the suction unit while still in its packing to the vicinity to the installation location.



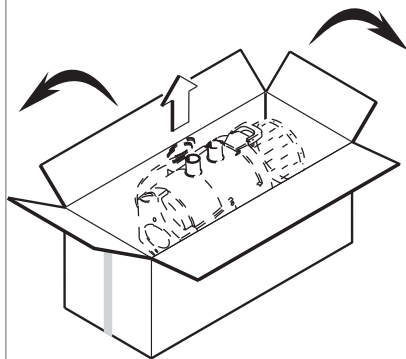
2

Arrange the cardboard box on the floor, with the opening side upward and cut the adhesive tape.



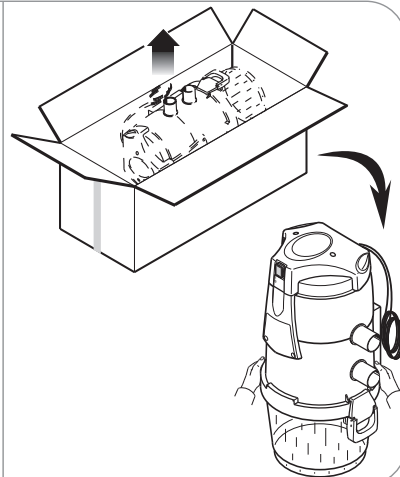
3

Open the box



4

Lift the suction unit and arrange it on the floor in a vertical position. Remove the dust protection bag.



5

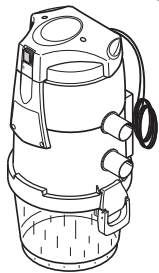
Remove from the packaging all the accessories and dispose the packaging in compliance with the relevant positions in force

2.2 Control of the accessories

Check what you have received:

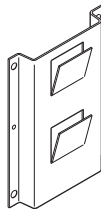
1

One suction unit



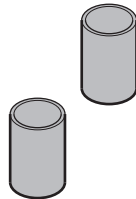
2

One metal frame for hanging the suction unit on the wall



3

Two rubber couplings to connect the suction pipes



4

Four metal collars for securing the couplings



5

One user guide



Make sure that the suction unit and the accessories have not been damaged during handling. If they have, do not hesitate to contact your provider.

a 3 - DESCRIPTION OF THE SUCTION UNIT

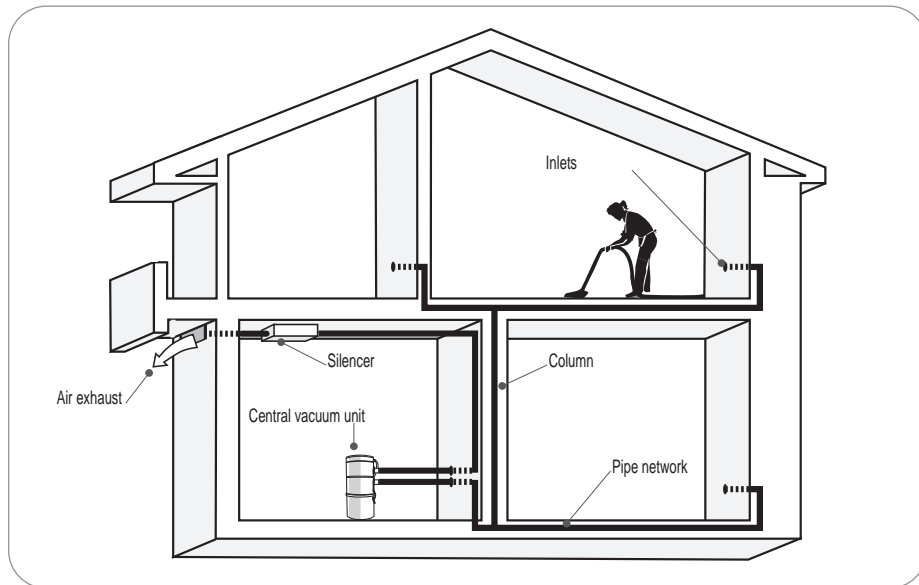
3.1 Operating principles

The central suction system consists of a net of PVC pipes spreading out in every room and perfectly chased in walls and false ceiling. The suction pipe network is equipped with suction inlets where the user fits the suction hose.

The central suction unit must be installed in a separated room (for example in a storage room, in a garage or in another service room) and is connected to the suction pipes network.

The user starts the suction unit by simply inserting the fitting of the suction hose into the suction pipe inlet.

The central suction system is suitable for any kind of residential building (house, office, hotels, service buildings...)



3.2 Allowed and improper use

The central suction unit which are the object of this user guide, has been designed to remove only the dust, small-size solid bits and pieces and dry materials.

- 4 **IS FORBIDDEN** to remove highly explosive materials (gun powder) or inert materials, which can trigger dangerous chemical reactions if removed separately and then mixed up in the dust container.
- 4 **IS FORBIDDEN** to remove textile stuff, big size bits and pieces, burning and hot materials.
- 4 **IS FORBIDDEN** to remove liquids.
- 4 **IS FORBIDDEN** to use the suction unit in explosion-hazardous places or in places where temperature, pressure and moisture are out-of-standard.



ANY DIFFERENT USE IS STRICTLY FORBIDDEN

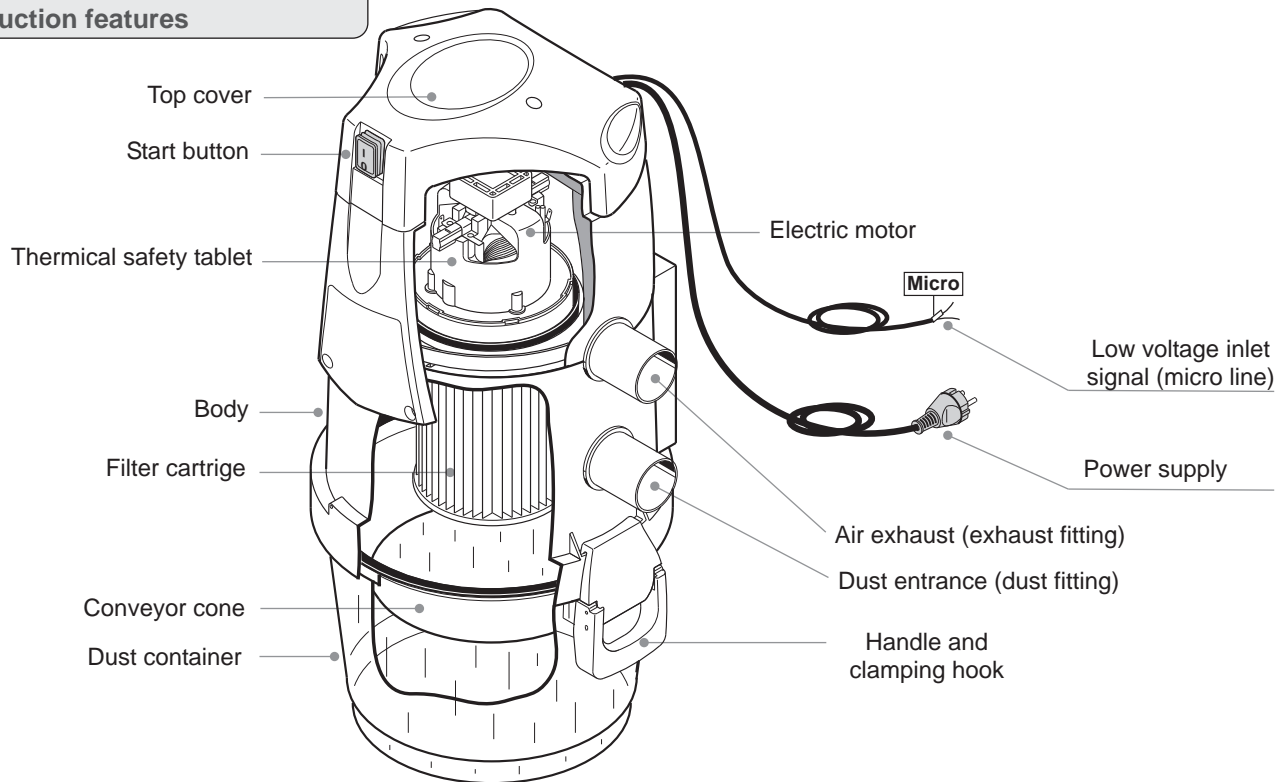
The manufacturer, by means of written authorization, must approve any alteration or modification of the suction unit to remove a specific material.

Any use different from the described is to be considered improper and health risk for the user. Damage to the suction unit cannot be excluded.

- 4 This tool should not be used by persons (children included) with reduced physical, sensory or mental skills, or by persons without experience or knowledge, unless they are controlled or trained for the use of the tool by people responsible for their safety.

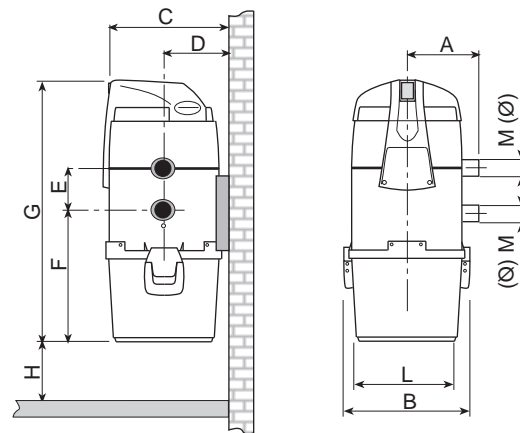
Children have to be supervised in order to assure they don't play with the tool.

3.3 Construction features



3.4 Technical features

Technical features		VISUAL 250 Small 70 cm	VISUAL 350 Big 85 cm
IP Protection degree	IP	24	24
Power supply	V ac	230	230
Frequency	Hz	50	50
Power	kW	1.4	1.6
Absorption	A	6.5	7
Inlet power supply	V dc	12	12
Max air volume	m ³ /h	175	190
Filtration surface	cm ²	3100	6700
Dust container capacity	lt	15	15
Weight	Kg	9	10.5
Size A mm		220	220
Size B mm		360	360
Size C mm		330	330
Size D mm		168	168
Size E mm		108	108
Size F mm		365	520
Size G mm		700	855
Size H mm (minimum)		150	150
Size M mm Ø		50	50
Size L mm		280	280
Max. Noise level		Never exceeds a 70 dB(A)	



N.B.: Levels of nominal noise. The levels can vary according to the environment where the central unit has been installed and the kind of installation.

a 4 - INSTALLATION



- ATTENTION - THE UNDERMENTIONED OPERATION MUST BE CARRIED OUT BY QUALIFIED STAFF



4.1 Place of installation

Before installing the central suction unit, a suction pipes network must be installed by qualified staff. The qualified operators must also spot the best location to install the suction unit.

Suggestions for a correct installation are detailed hereinafter:

- 4 If the suction unit has to be installed in a multistorey building, the suction unit must be located at the lowest level of the building.**
- 4 The suction unit can be installed in a service room (for example in a garage or in a storage room), sheltered from atmospheric agents and protected from moisture and temperature changes. Chose a space far from heat sources (burners or radiators).**
- 4 Leave free and well-lit space around the suction unit to allow trouble-free maintenance and repair operations.**

For any question and doubt do not hesitate to contact your provider

4.2 Switch from DX (right) to SX (left) model

The suction units are usually delivered with suction and exhaust pipes connections assembled on the right side of the unit (DX model). When necessary, it is possible to switch the suction unit from DX (right) to SX (left) model.

Follow the instructions detailed below to switch from DX (right) to SX (left):

1

A

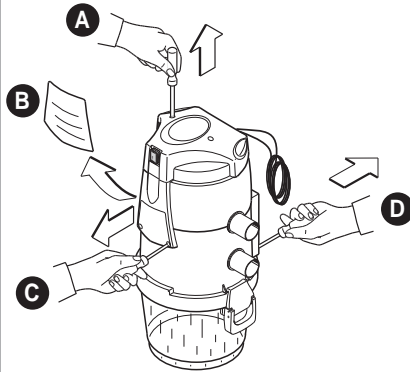
Remove the top cover, unscrewing the 2 screws
ATTENTION:
DO NOT PULL the electric cables

B C

Remove the adhesive plate; unscrew the 2 screws under the sticker; remove the front panel

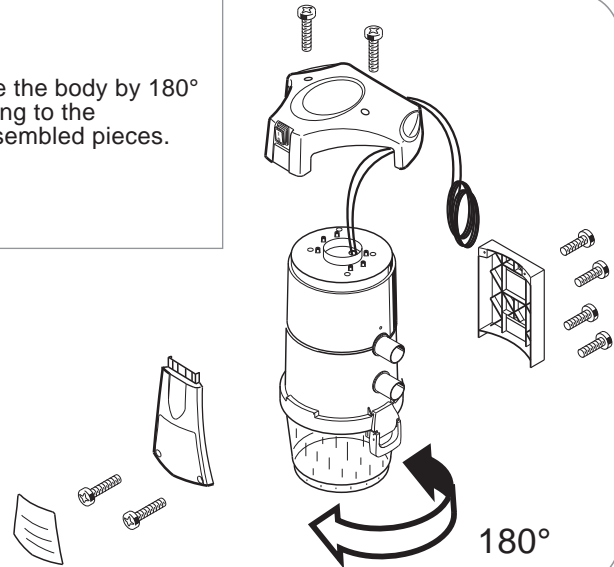
D

Remove the fixing plate, unscrewing the 4 screws.



2

Rotate the body by 180° referring to the disassembled pieces.



3

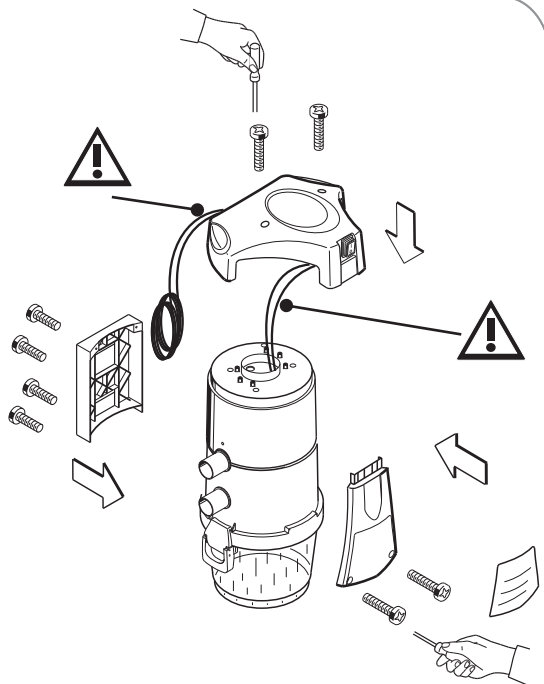
Reassemble, by changing the position of the front panel with those of the wall fixing plate. Reassemble the top cover, rotated by 180°.



ATTENTION!

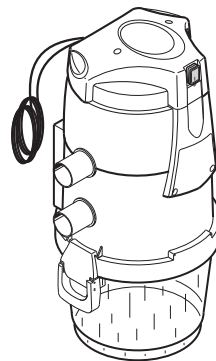
Pay attention to the position of the cables coming out of the top cover!
Put them on the groove behind the cover, and don't clamp the cables.

Fix the sticker.



4

Suction unit with connections on the left side (SX).



4.3 Installation of the suction unit

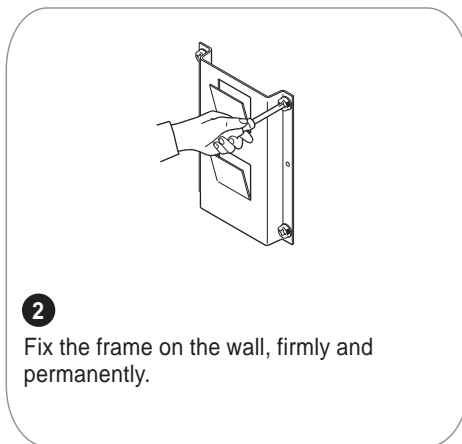
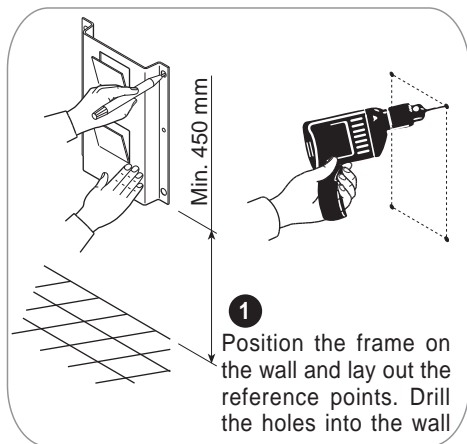
The suction unit must be installed to a wall, firmly and permanently. Hang the suction unit to a frame (provided with the suction unit) previously fixed on the wall.

Remember that the frame must hold up the equivalent of the weight of the suction unit and the full dust container. Fix the frame by using adequate screws.

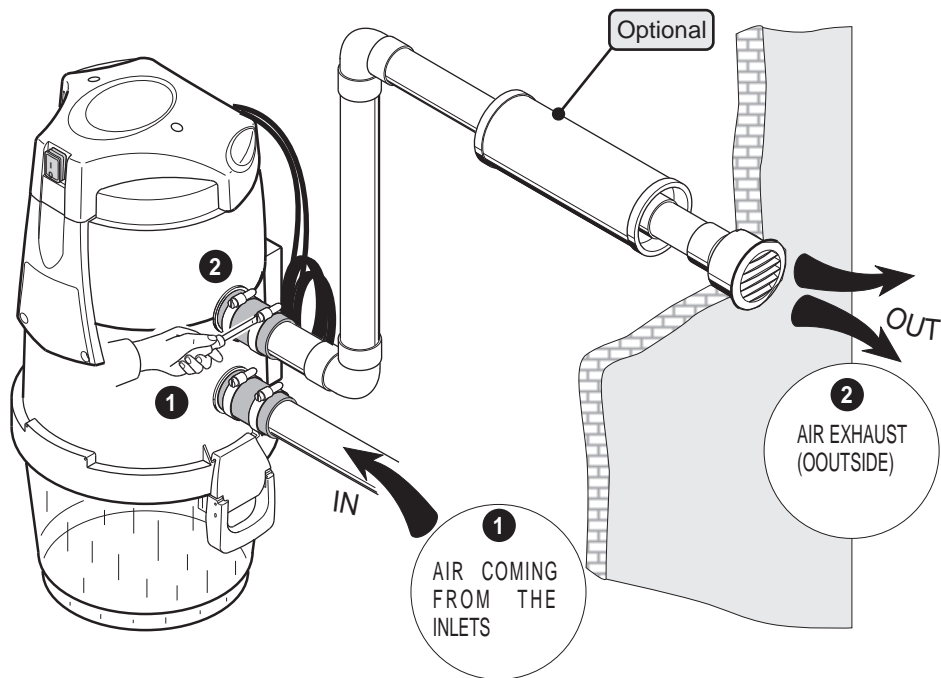
Make the installation, looking at the following pictures.



ATTENTION! The installer must hang the suction unit at a suitable distance from the floor (min. 15/20 cm) to allow an easy unloading of the dust container and a trouble-free replacement of the filter



4.4 How to connect to the pipe network



- 1 Connect the suction unit by using the rubber fitting and two metallic clamps to the pipe network "IN "(air flow coming from the inlets of the pipe network).
- 2 Connect the suction unit by using the rubber fitting and two metallic clamps to the air exhaust "OUT "(air flow).

4.5 Electric connection



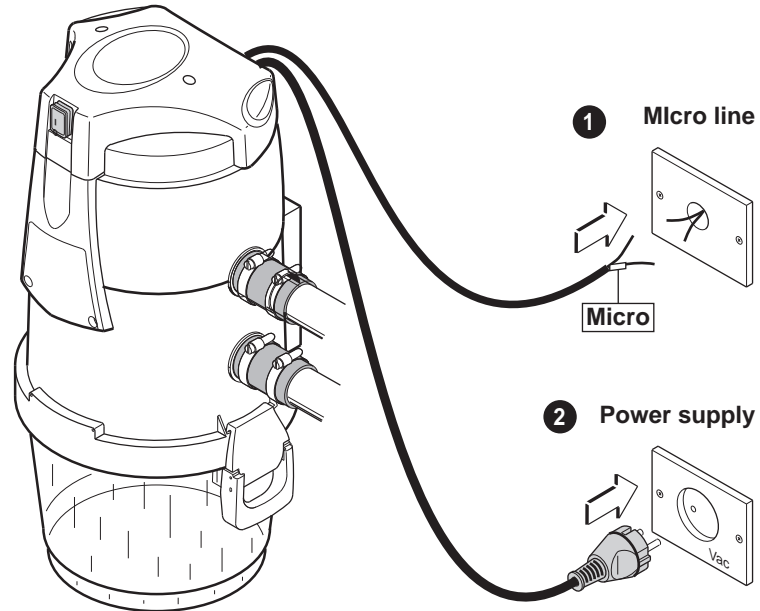
IMPORTANT! Always unplug the suction unit before carrying out any operation
ATTENTION! The electric connection must be carried out by qualified staff



- Before plugging in the suction unit, make sure that the main power supply corresponds to the suction unit power supply (please refer to data indicated on the identification plate)
- Connect the activation entry signal cable with low safety tension.
- The constructor declines all responsibility for damages to persons or objects due to an electric system not in compliance with the regulations in force.

Follow the instructions to carry out this operation correctly (see picture)

- 1 Connect the starting signal input cable (low voltage) to the MICRO LINE cable coming from the inlets
- 2 Insert the electrical plug into the appropriate power inlet



a 5 - HOW TO USE THE SUCTION UNIT

5.1 Starting of the suction unit



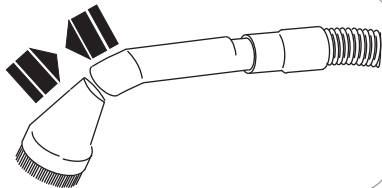
Verify that the power supply is plugged

5.2 Use of the suction system

Follow the indications:

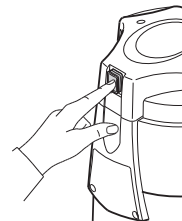
2

Fill the appropriate cleaning accessory on the flexible hose.



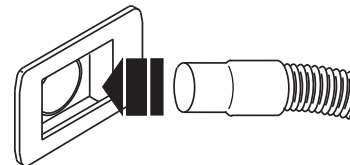
1

Press the start push-button.
A red lamp will light up inside



3

Open the suction inlet and fill the opposite end of the flexible hose in the suction inlet. The suction unit will start automatically.



After finishing the cleaning operations, remove the hose from the suction inlet and push gently the cover until it engages. The suction unit will stop to run. The cover must be engaged gently to avoid any backstroke of the cover against the suction inlet. Allow the suction unit a few seconds to stop.

a 6 - MAINTENANCE AND SPARE PARTS



ATTENTION! Always unplug the power supply cable from the power supply socket and always wear protection gloves and goggles before carrying out any technical or maintenance operation.



6.1 Programmed maintenance

In order to keep the system perfectly operating and to avoid any possible mechanic trouble, the user must overhaul the whole system at precise time intervals, according to the accumulated operating time of the central suction system (see table).

Time (hours)	Type of intervention	Carried out by
4	Clean the filter cartridge	User
6	Unload the dust container	User
32	Replace the filter cartridge	User
54	Control the obstruction level of the air exhaust	Technical service
400	Replace the electric motor carbons	Technical service



ATTENTION!

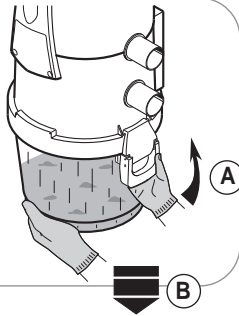
- The body of the suction unit needs periodically cleaning. Use a smooth and damp cloth with some neutral soap.
- Be sure to use only water or water with neutral soap. Alcohol or other solvents may damage the unit.
- Wait until the unit is perfectly dry before to use.

6.2 Unloading the dust container

See the pictures:

1

Unhook the dust container



2

Remove the conveyor cone



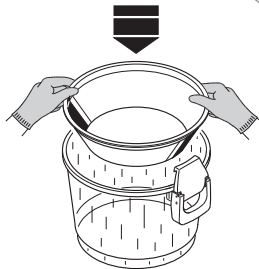
3

Unload the dust container



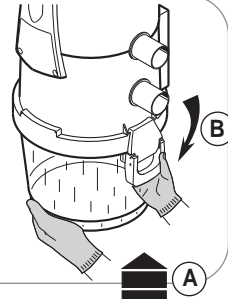
4

Assemble the conveyor cone



5

Hook back on the dust container

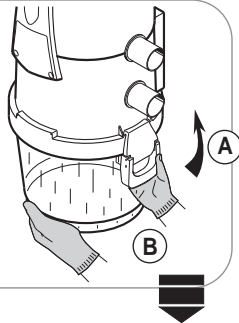


6.3 Replacement of the filter cartridge

See the pictures:

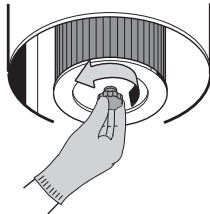
1

Unhook the dust container



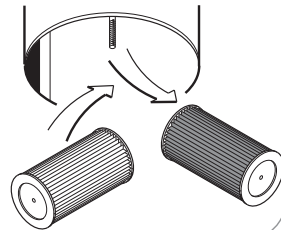
2

Unscrew the locking handle



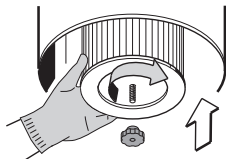
3

Replace the filter cartridge



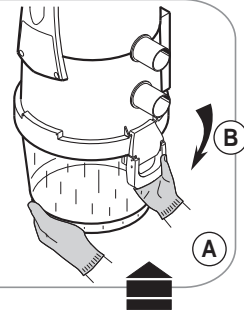
4

Screw the locking handle and at the same time rotate softly the filter cartridge. Verify the correct positioning of the filter cartridge during the screwing until the end of the operation.



5

Hook back on the dust container.



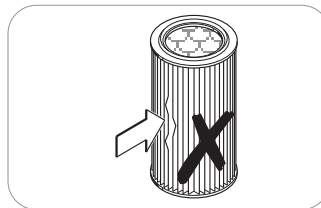
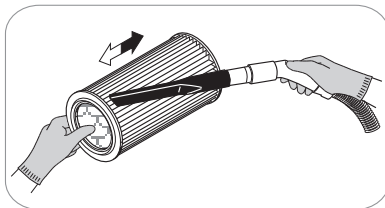
6.4 Reconditioning of the filter cartridge



ATTENTION!

- NEVER USE THE SUCTION UNIT WITHOUT THE FILTER CARTRIDGE
- BEFORE CARRYING OUT THE OPERATION DESCRIBED HEREUNDER, ALWAYS USE A NEW CARTRIDGE

The filter cartridge can be reconditioned many times; use the corner nozzle of your suction unit to clean the filtering surface of the cartridge



Check if the surface of the cartridge is torn; in this case do not recondition the cartridge and do not use it again.

6.5 Servicing criteria



It is strictly forbidden to operate on the central suction unit to carry out any maintenance or servicing not mentioned (and therefore not allowed) in the user guide.

The guarantee will not apply in case of interventions carried out by non-authorized staff and the manufacturer cannot be considered responsible for possible injuries to persons and damages to things resultings from this kind of intervention.

ONLY qualified providers of the technical assistance service can carry out any maintenance or repair operations.



6.6 Spare parts list

E' opportuno tenere a disposizione i ricambi usurabili come le cartucce filtro. Si consiglia per un ottimale funzionamento dell'Aspiratore Centralizzato di utilizzare sempre ricambi originali.

Description	Quantity	Spare part code	Suction unit model
Filter cartridge	1	To read commercial brochure	SMALL
Filter cartridge	1	To read commercial brochure	BIG

a 7 - DISMANTLING

7.1 General instructions

When dismantling the suction unit, dispose appropriately of used parts or materials, which could endanger human health or well-being as well as the environments if handled improperly.

You must be acquainted with sites/companies authorized to collect and dispose of used parts and materials. The disposal and/or recycling of any part of the suction unit must be carried out in compliance with the legal regulations in force.

a 8 - TECHNICAL PROBLEMS

Problem	Possible causes	Possible corrective measures
No air suction in all the inlets	<ul style="list-style-type: none"> The power supply cable is unplugged The start push button of the suction unit is unplugged The start signal cable is unplugged (micro line) The thermal relay of the motor does not work 	<ul style="list-style-type: none"> Plug in the power supply cable Press the start push button Plug in the start cable (micro line) Leave the the motor some minutes for cooling down
No air suction in only one inlet	<ul style="list-style-type: none"> The power supply contacts are cut off or the micro switch of the inlet doesn't work 	<ul style="list-style-type: none"> Contact the technical service provider
Weak air suction	<ul style="list-style-type: none"> Several suction inlets are used simultaneously Flexible hose or cleaning accessories are broken/damaged The filter cartridge is dirty The fitting of the dust container is damaged or incorrectly positioned The pipes of the suction system are obstructed The air exhaust is obstructed 	<ul style="list-style-type: none"> Use only one suction inlet at a time Check if the hose is integral and if the fitting is correctly inserted Replace or clean the filter cartridge Check if the fitting is integral and correctly assembled Contact the technical service provider Contact the technical service provider
The suction unit does not stop when the suction inlets are closed	<ul style="list-style-type: none"> The microswitch of a single inlet doesn't work 	<ul style="list-style-type: none"> Contact the technical service provider